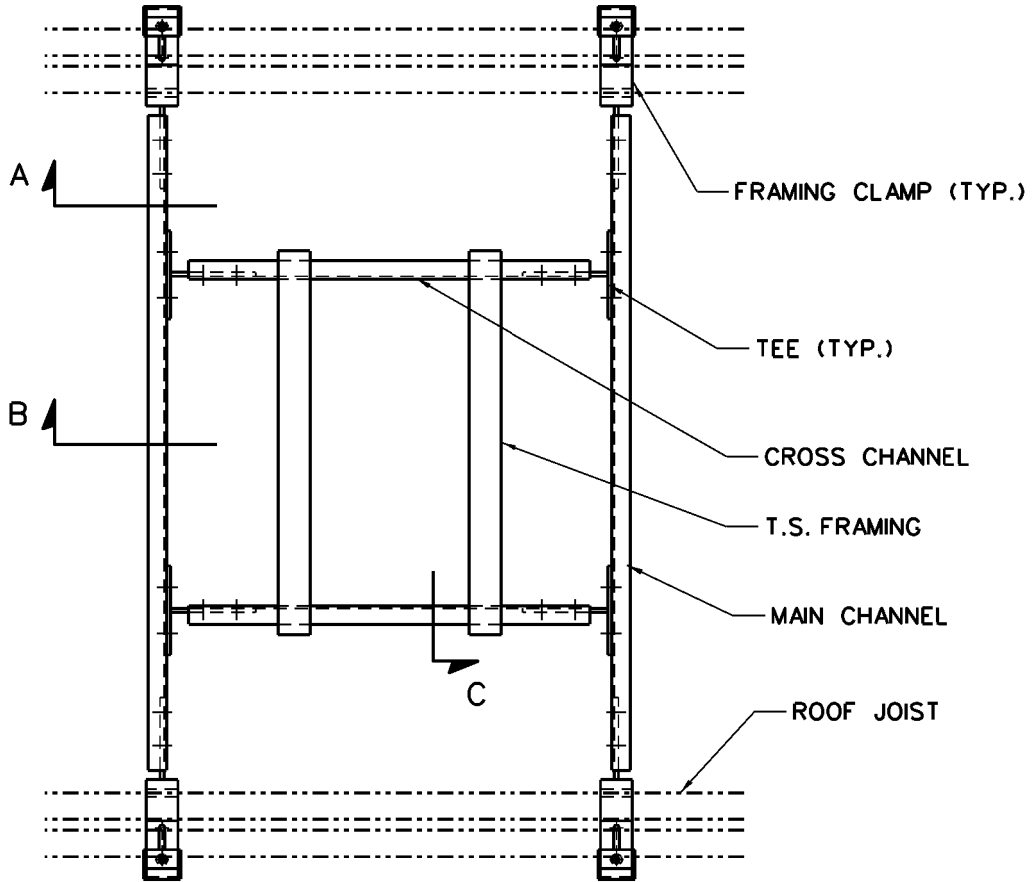


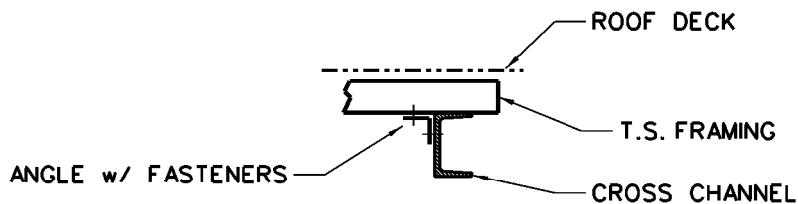
**SECTION "A-A"**



**BASIC FRAME WITH ADDITIONAL  
TUBE DECK SUPPORTS**



**SECTION "B-B"**



**SECTION "C-C"**