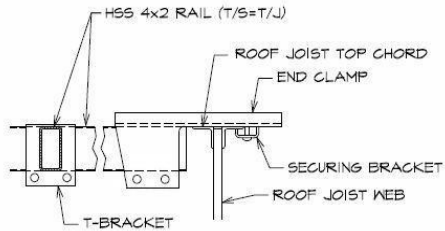


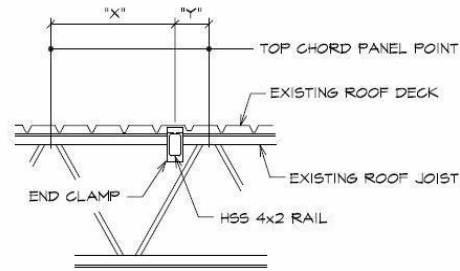
ROOF CURB FRAMING NOTES:

CURB FRAMING SYSTEM SHOWN IS MANUFACTURED AND SOLD BY CHICAGO CLAMP CO., BROADVIEW, ILLINOIS; PHONE 708-343-8311

REFER TO THE CHICAGO CLAMP PRODUCT BROCHURE FOR COMPONENT CAPACITIES, INSTALLATION GUIDELINES AND ADDITIONAL INFORMATION.

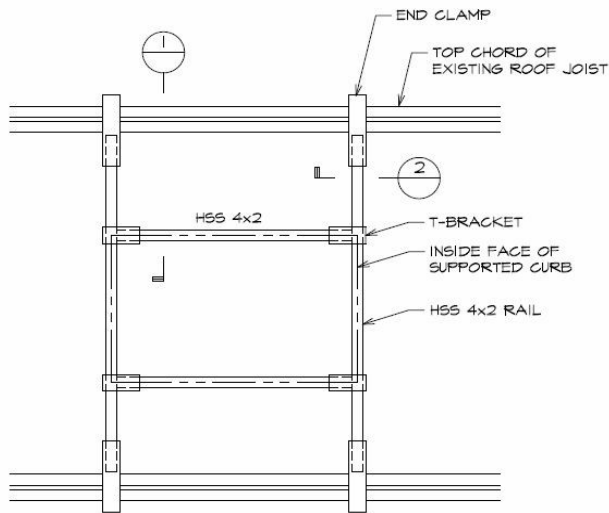


SECTION 1



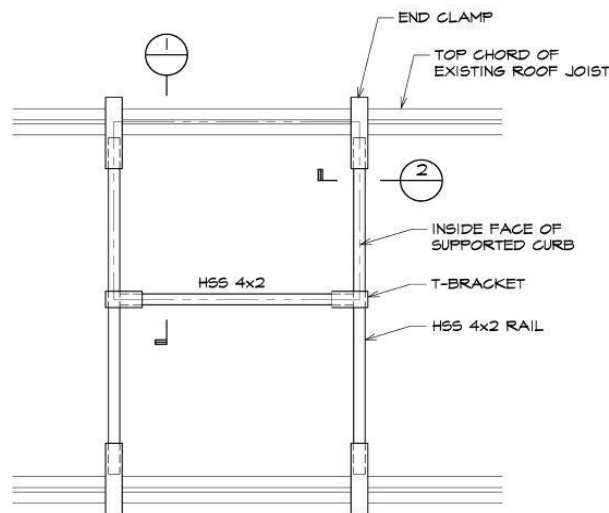
NOTE: HSS 4x2 RAILS SHALL BE POSITIONED SO THAT EITHER DIMENSION "X" OR "Y" IS LESS THAN OR EQUAL TO 6 INCHES.

SECTION 2



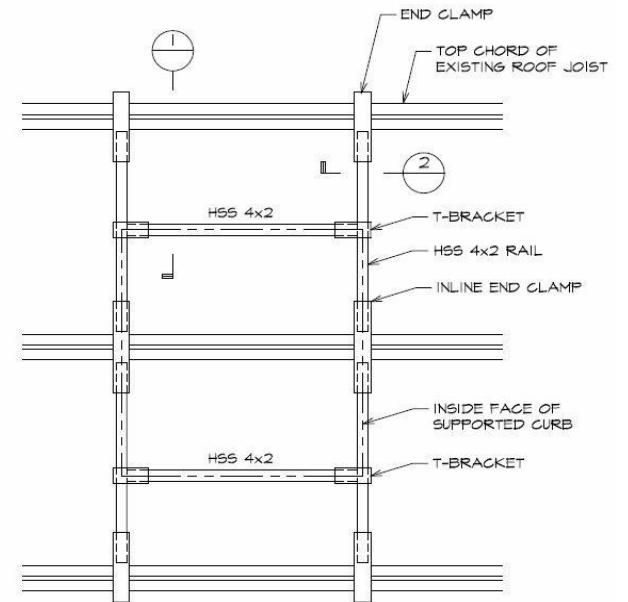
ROOF CURB FRAMING PLAN

TOP OF STEEL = TOP OF JOISTS



ROOF CURB FRAMING PLAN

TOP OF STEEL = TOP OF JOISTS



ROOF CURB FRAMING PLAN

TOP OF STEEL = TOP OF JOISTS

